

**SONY.**

**Hi-Fi Products  
Service Bulletin**

**CSA-13**

Sony Service Company - Technical Services  
A Division of Sony Electronics Inc.  
Sony Drive, Park Ridge, New Jersey 07656

**Model:** CDP-CX100

**No.** 378

**Subject:** Skipping And/Or Distortion; Or Does Not Read  
Discs

**Date:** March 4, 1994

**Symptom:**

(53)

In some units, skipping and/or distortion may be heard, predominantly when the inner tracks of the disc are being played. Also, the unit may occasionally not read the discs.

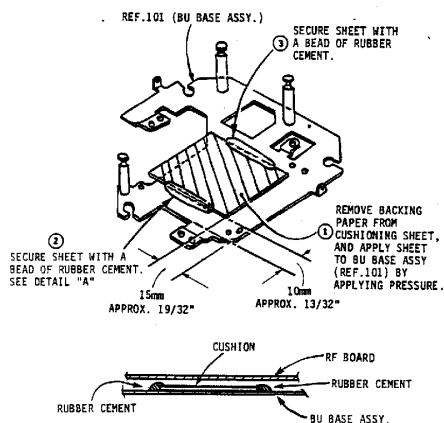
**Solution:**

If the unit exhibits the above problems, install a cushioning sheet on the BU Base Assembly as shown below.

As a preventative measure for units which are being serviced for reasons other than those listed above, the cushioning sheet should be installed when the focus error waveform (when the inner tracks of a disc are being played) contains a fundamental frequency of approximately 500 HZ, as shown below.

REF	DESCRIPTION	PART NUMBER
-	CUSHION (KSM)	4-967-084-01

Applicable serial numbers: 800001 ~ 812027

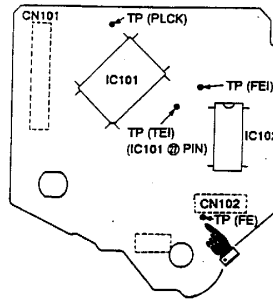
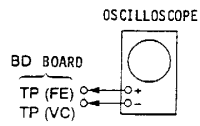


Reference:  
Autoflagged - YES



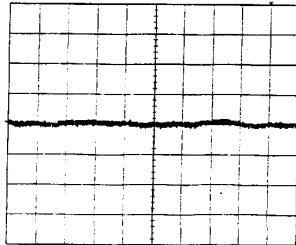
PRINTED IN USA  
CSA-13294-10

[BD BOARD]  
 — Conductor side —

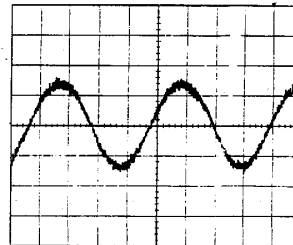


0.5mS/DIV  
 0.50V/DIV

TEST POINT FE ON BD BOARD



NORMAL FOCUS ERROR  
 WAVEFORM



FOCUS ERROR WAVEFORM  
 CONTAINS FUNDAMENTAL OF  
 APPROX. 500HZ. IN THIS  
 CASE, ADD CUSHION AS  
 PREVENTATIVE MEASURE.